

IR High Power Fiber Coupled Laser

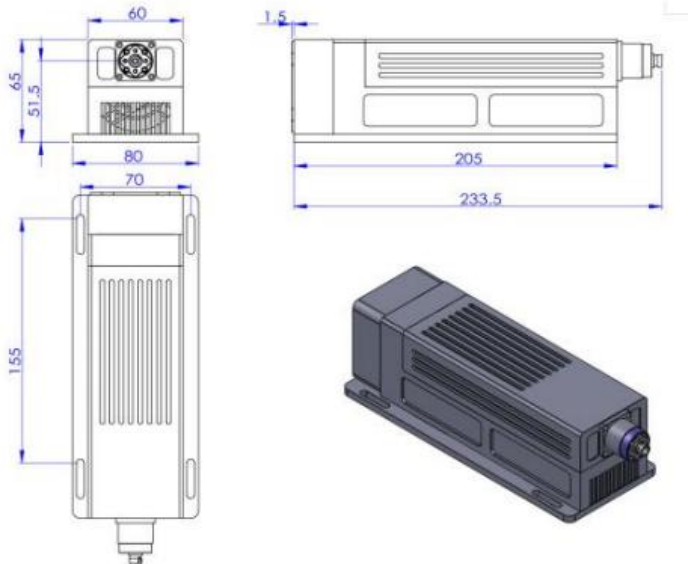
Specifications

Model Number	HP-IR1550-2000-BS
Optical Specifications	
Wavelength	1550 nm
Center Wavelength Deviation	+/- 20 nm
Output Power	>2W (at the end of 200μm fiber)
Power Stability (over 4 hours) (rms)	<5 % (<1 %, <3 % optional)
Beam Divergence(full angle)	1.5x0.3mrad(without fiber) 22° (with fiber)
Beam Diameter at Aperture	4.0x5.2mm(without fiber)
Aperture Position	50mm
External Modulation	5V TTL /5V Analogue
Modulation Frequency	10~30KHz TTL / 10~30KHz Analogue
Cooling Method	TEC+AIR
Operation Temperature	18~40°C
Estimated Lifetime (MTTF)	> 10000 hours
Warranty Time	1 year
Mechanical Specifications	
Dimension of Laser Head	205 (L) x 60 (W) x 60 (H) mm
Dimension of Power Supply	168 (L) x 147 (W) x 92 (H) mm
Dimensional Tolerances	+/- 1 mm

IR High Power Fiber Coupled Laser

Dimensions

Laser Head(Unit: mm)



Power Supply(Unit: mm)

