

# Green Line Laser Module Wide Temperature Range

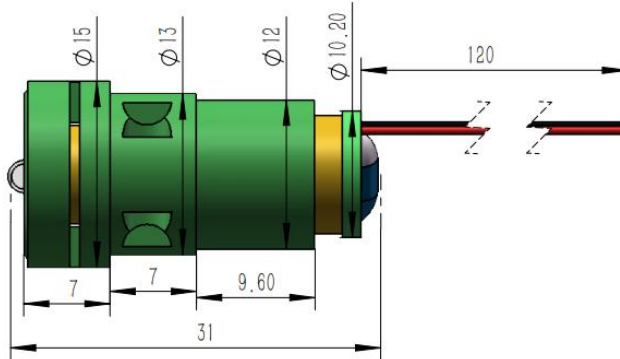


**G545L001-15x33-60-(-10-50)-10**

### Features

- Gaussian Line
- Wide Temperature Range
- Fast Rise Time
- High Reliability

### Dimensions (Unit: mm)



Specifications				
<b>Model Number</b>		<b>G545L001-15x33-60-(-10-50)-10</b>		
<b>Mechanical Specifications</b>		<b>Min</b>	<b>Typ</b>	<b>Max</b>
Laser Head	Diameter (mm)	14.9	15	15.1
	Length (mm)	32.9	33	33.1
	Weight (g)	-	11.6	-
Housing Material		Green Anodized Aluminum <sup>(1)</sup>		
<b>Optical Specifications</b>		<b>Min</b>	<b>Typ</b>	<b>Max</b>
Wavelength (nm) <sup>(2)</sup>		544	545	546
Output Power (mW) <sup>(3)</sup>		-	-	1
Power Stability	at const. Temperature	-	+/- 2%	+/- 5%
	over Temperature Range	-	+/- 20%	+/- 35%
Output Power Mode		CW		

(1) Optional: Black Anodized Aluminum

(2) at Cylinde Lens Exit, tested at 10cm to the Cylinde lens

(3) after max. 3 minutes

<b>Beam Specifications</b>	<b>Min</b>	<b>Typ</b>	<b>Max</b>
Fan Angle ( $1/e^2$ , degree) <sup>(1)</sup>	-	60	-
Line width @ 7m (mm)	-	-	4
Line Curvature (mm) at 10m	-	$\pm 0.5$	$\pm 1$
Deviation of Laser Beam at 10m (mm)	-	-	2
Power Distribution	Gaussian		
Beam Mode Longitude	Multi		
Residual IR	-	-	1%
<b>Electrical Specifications</b>	<b>Min</b>	<b>Typ</b>	<b>Max</b>
PCB Type	ACC		
Voltage (DC, V)	2.6	-	3.0
Operating Current (mA) <sup>(2)</sup> at 3V	-	?	?
Housing Isolation	Yes?		
ESD protection	Yes?		
Wire Length (mm)	$120 \pm 10$		
Wire Type	28#AWG		
Connector Model	None		
Reverse Voltage Protection	Yes?		
<b>Reliability</b>	<b>Min</b>	<b>Typ</b>	<b>Max</b>
Operating Case Temperature Range (°C)	-10	-	50
Rise Time (Seconds) <sup>(3)</sup>	-	0.05	0.2
Storage Temperature (°C)	-40	-	60
Environmental Humidity (RH, %)	5	-	85
Lifetime (hours) (MTTF at 25°C)	10,000	-	-

(1) Two kinds of lines optional : with dot in center of line , without dot in the center.

(2) over Operating Case Temperature

(3) from To 75% of Full Output Power