

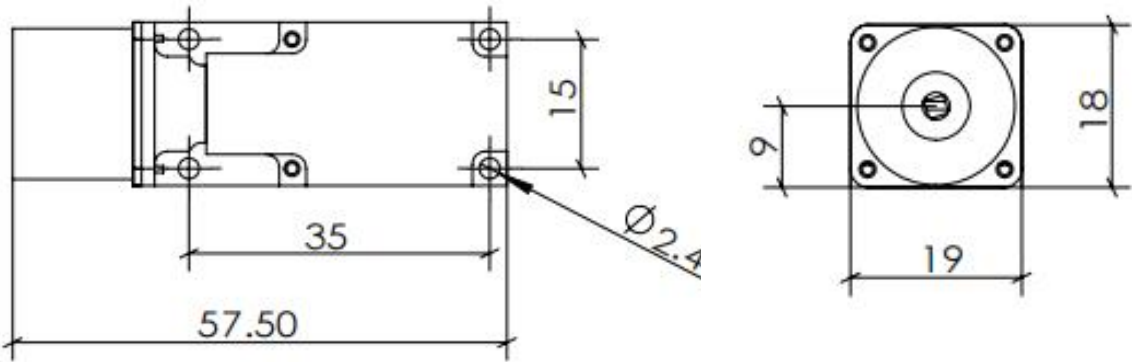


**Y577D2000-19x18x58-40**

**Features**

- DPSS Laser
- Compact Design
- High Stability
- Yellow Laser

**Dimensions (Unit: mm)**



Specifications				
<b>Model Number</b>		Y577D2000-19x18x58-40		
<b>Mechanical Specifications</b>		<i>Min</i>	<i>Typ</i>	<i>Max</i>
Laser Head	Width x Height (mm)	-	19X18	19.1x18.1
	Length (mm)	-	-	58
	Weight (g)	-	-	200
Housing Material		Brass with gold-plating		
<b>Optical Specifications</b>		<i>Min</i>	<i>Typ</i>	<i>Max</i>
Wavelength (nm)		574	577	580
Output Power (mW)		1500	2000	-
Power Stability at const. Temperature <sup>(1)</sup>		-	3%	5%
Output Power Mode		CW		
Laser Class		4		

<sup>(1)</sup> after max. 3 minutes (RMS)

<b>Beam Specifications</b>		<b>Min</b>	<b>Typ</b>	<b>Max</b>
Beam Divergence (mrad) <sup>(1)</sup>		-	30	40
Beam Waist (μm)		-	300	-
Beam Alignment Tolerance	Position (Δr, mm)	-	-	0.5
	Off-axis Angle (mrad)	-	35	60
Beam Diameter at Output Window (mm)		-	0.5	
Beam Roundness		-	-	-
Beam Mode Longitude		Multi		
Beam Mode Transverse		Multi		
Polarization Ratio (Linear)		100:1	-	-
Residual IR		-	-	3%
<b>Electrical Specifications</b>		<b>Min</b>	<b>Typ</b>	<b>Max</b>
Power Type		ACC		
LD Voltage (DC, V)		1.8	2	2.3
LD Operating Current (mA) at 2V		-	12,000	15,000
Thermistor Constants		A = 2.231e <sup>-3</sup> B = 4.694e <sup>-5</sup> C = 0.884e <sup>-6</sup>		
Thermistor Resistance		6.6KΩ@35°C    8.2KΩ@30°C 10.0KΩ@25°C    12.3KΩ@20°C 16.4KΩ@15°C    18.5KΩ@10°C		
Power Consumption (W) at 25°C		-	24	37.5
Housing Isolation		No		
ESD protection		No		
Wire Length (mm)		200 (+/-50)		
Wire Type <sup>(3)</sup>		14AWG / 28AWG		
<b>Reliability</b>		<b>Min</b>	<b>Typ</b>	<b>Max</b>
Operating Case Temperature Range (°C) <sup>(3)</sup>		T-1	T	T+1
Storage Temperature (°C)		0	-	40
Environmental Humidity (RH, %)		5	-	85
Lifetime (hours) (MTTF at 25°C)		10,000	-	-
RoHS Compliance Declaration		Yes		

(1) Full Angle (1/e<sup>2</sup>)

(2) 14AWG for LD wires. 28AWG for NTC wires

(3) T is a NTC temperature point from 15-35°C. When the laser works at different current, the corresponding optimal working temperature is different. Will provide test report for each module.

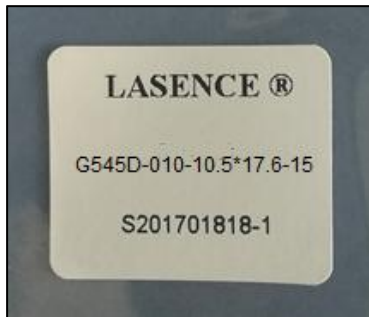
## Remarks

- Product ID for placing orders: Y577D2000-19x18x58-40
- Datasheet Version: 1
- No Photodiode
- Customer is responsible for suitable heat sinking
- Label on plastic bag (see picture of another product's label in picture 2):
  - LASENCE®
  - Y577D3000-19x18x58-40
  - Lasence Order Number - Module Number
  - Label Length: 30mm (+/-3mm); Width: 25mm (+/-3mm)
- Example of beam spot (see picture3)
- Laser Beam Warning Label on module housing (see picture 1)
- Laser Marking on module housing (see picture 2)

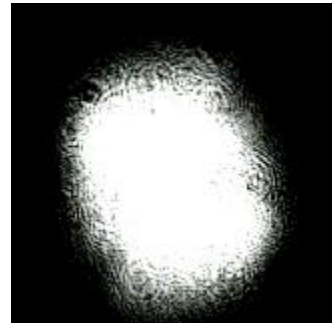
**Picture 1**



**Picture 2**

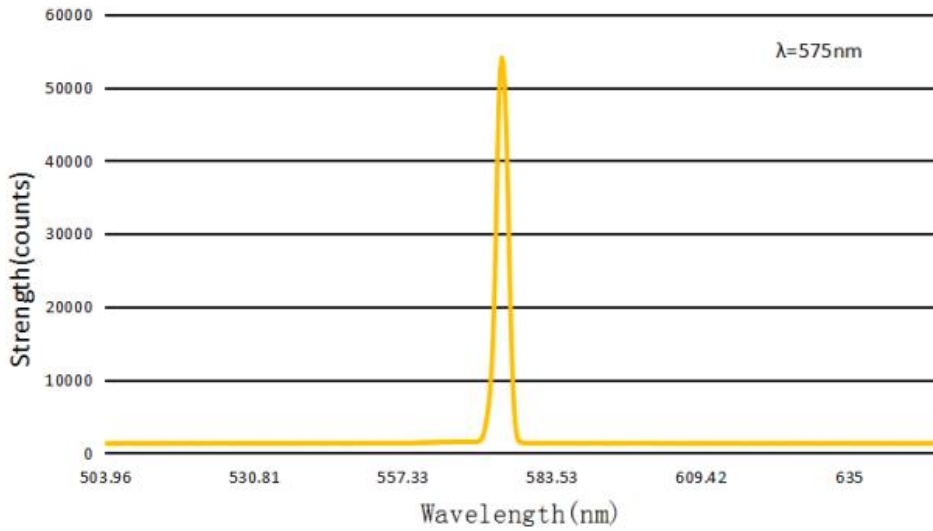


**Picture 3**



## Typical Output Performance (examples)

### 1) Wavelength



### 2) Power stability (4 hours power stability)

